

Holtest

SERIES 568 – ABSOLUTE Digimatic Borematic Snap-Open Bore Gauge

- A snap-type digital display, inside-diameter measuring instrument allows easy and speedy measurement by lever operation.
- Titanium-coated measuring pins provide excellent durability and impact resistance and allow the instrument to measure right to the bottom of a blind hole.
- Three-Point contact measuring head enables highly repeatable measurement data to be obtained.
- The ABSOLUTE linear encoder eliminates overspeed errors.
- GO/NO-GO judgement function.
- Dual HOLD function buttons, optimally located, enable high operability.
- 330° rotatable display unit for easy reading at any angle.
- Can measure deep holes by attaching an optional extension rod.
- Digimatic output port enables inclusion in a statistical process control or networked measurement system.
- Interface Input Tools are available that enable the conversion of measurement data to keyboard signals that are then directly input to cells in off-the-shelf spreadsheet software such as Excel.
- Interchangeable-Head Bore Gauges are available in part sets and full sets.
- Optional setting rings are available for setting the instrument accurately before measurement (see pages C-37 to C-38).

MeasurLink[®] ENABLED
Data Management Software by Mitutoyo

ABSOLUTE

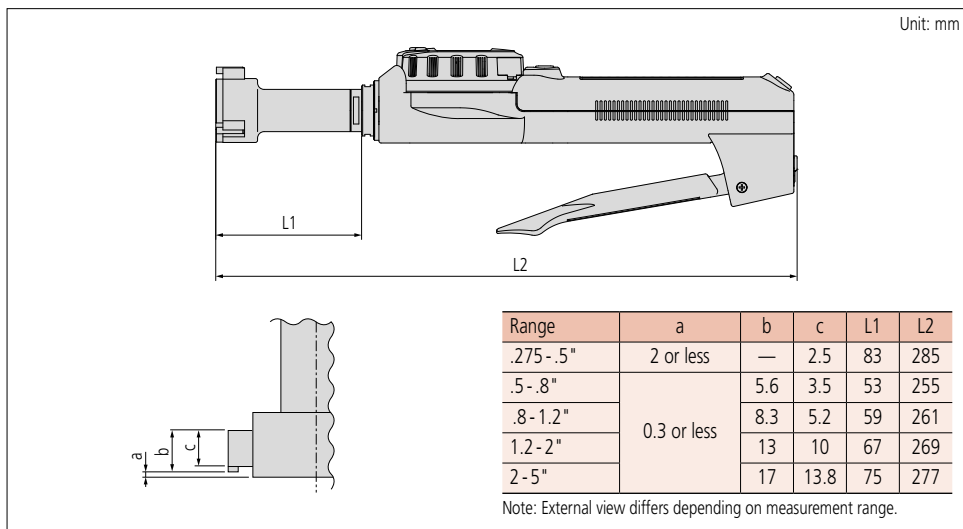


568-464



568-468

Dimensions



Technical Data

| | |
|-----------------|---------------------------------------|
| Display: | LCD |
| Response speed: | Infinite |
| Battery: | SR44 (1 pc), 938882 |
| Battery life: | Approx. 5,000 hours in continuous use |

Functions

- GO/±NG judgement
- GO/±NG judgement zoom
- 2-point preset
- Zero-setting
- Data hold, error alarm
- Low battery voltage alert
- Data output
- Function lock
- 330° rotatable display



Function lock prevents accidental change of settings.



Large LCD ensures easy reading of measurement values.



Constant-force device ensures repeatable measurement.

Optional Accessories

| Code No. | Description | |
|--|---|--|
| 905338 | SPC data cable with pushbutton (1 m) | |
| 905409 | SPC data cable with pushbutton (2 m) | |
| 02AZD790F | U-WAVE-T data cable (160 mm) | |
| 02AZE140F | U-WAVE-T data cable with footswitch connection (160/500 mm) | |
| 06AFM380B | USB Input Tool Direct USB-ITN-B (2 m) | |
| Extension rods (refer to Specifications table) | | |
| 952322 | 100 mm | |
| 952621 | 150 mm | |
| 952622 | 150 mm | |
| 952623 | 150 mm | |

Specifications

| Inch/Metric | | | | | |
|-------------|--------------------------------|--------------------|---|------------------------------------|--|
| Code No. | Range | Resolution | Accuracy* | Extension rod (optional accessory) | |
| 568-461 | .275 - .35" (6.985 - 8.89 mm) | .00005" (0.001 mm) | ±5 µm (range 5 µm) / ±.00025" (range .00025") | 952322 | |
| 568-462 | .35 - .425" (8.89 - 10.795 mm) | | | | |
| 568-463 | .425 - .5" (10.795 - 12.7 mm) | | | | |
| 568-464 | .5 - .65" (12.7 - 16.51 mm) | | | | |
| 568-465 | .65 - .8" (16.51 - 20.32 mm) | | | | |
| 568-466 | .8 - 1" (20.32 - 25.4 mm) | | | | |
| 568-467 | 1 - 1.2" (25.4 - 30.48 mm) | | ±6 µm (range 6 µm) / ±.0003" (range .0003") | 952622 | |
| 568-468 | 1.2 - 1.6" (30.48 - 40.64 mm) | | | | |
| 568-469 | 1.6 - 2" (40.64 - 50.8 mm) | | | | |
| 568-470 | 2 - 2.5" (50.8 - 63.5 mm) | | | | |
| 568-471 | 2.5 - 3" (63.5 - 76.2 mm) | | | | |
| 568-472 | 3 - 3.5" (76.2 - 88.9 mm) | | 952623 | | |
| 568-473 | 3.5 - 4" (88.9 - 101.6 mm) | | | | |
| 568-474 | 4 - 4.5" (101.6 - 114.3 mm) | | | | |
| 568-475 | 4.5 - 5" (114.3 - 127 mm) | | | | |

| Code No. | Range | Measuring head units | Setting rings |
|---|------------------------------|--|---------------|
| Interchangeable-head bore gauge sets | | | |
| 568-928 | .275 - .5" (6.985 - 12.7 mm) | .275 - .35", .35 - .425", .425 - .5" | ø.35", ø.425" |
| 568-929 | .5 - 1" (12.7 - 25.4 mm) | .5 - .65", .65 - .8", .8 - 1" | ø.65", ø.8" |
| 568-930 | 1 - 2" (25.4 - 50.8 mm) | 1 - 1.2", 1.2 - 1.6", 1.6 - 2" | ø1.2", ø1.6" |
| 568-936 | 2 - 4" (50.8 - 101.6 mm) | 2 - 2.5", 2.5 - 3", 3 - 3.5", 3.5 - 4" | ø2.5", ø3.5" |
| Non-interchangeable-head bore gauge sets | | | |
| 568-965 | .275 - .5" (6.985 - 12.7 mm) | .275 - .35", .35 - .425", .425 - .5" | ø.35", ø.425" |
| 568-966 | .5 - 1" (12.7 - 25.4 mm) | .5 - .65", .65 - .8", .8 - 1" | ø.65", ø.8" |
| 568-967 | 1 - 2" (25.4 - 50.8 mm) | 1 - 1.2", 1.2 - 1.6", 1.6 - 2" | ø1.2", ø1.6" |
| 568-968 | 2 - 3" (50.8 - 76.2 mm) | 2 - 2.5", 2.5 - 3" | ø2.5" |
| 568-969 | 3 - 4" (76.2 - 101.6 mm) | 3 - 3.5", 3.5 - 4" | ø2.5", ø3.5" |

* Accuracy specifications apply to the whole length of the measuring jaws, and are given both in terms of the limits of deviation of a measurement and the total width of the deviation range (in parentheses).

Note: It is not advisable to use measuring heads other than those supplied as standard accessories, or attempt to widen a measuring range by using any other heads. (The measuring accuracy in such cases is not guaranteed.)



568-930



568-969