

JOUCOMATIC

ISOCCLAIR ROUND CYLINDERS

Ø 32 to 63 mm - single acting

ISO 6431 - CETOP

with elastic cushioning



Series
438
Type
CIS-NA/DM

GENERAL

Detection Equipped for magnetic position detectors
Fluid Air or neutral gas, filtered, lubricated or not
Operating pressure 10 bar max.
Ambient temperature - 10°C to + 70°C
Standards ISO 6431 - 8139 - 8140
 CETOP RP 43 P - RP 102 P - RP 103 P

Minimum pressure to compress the spring: 2 bar
The return of the piston rod must be without load

CONSTRUCTION

Barrel Hard anodized aluminium alloy
Rod Hard chrome steel
Front and rear covers Light alloy
Piston POM (polyacetal), steel, aluminium equipped with permanent magnet
Piston seals PUR (polyurethane)
Rod nut Galvanized steel
Dismounting Cannot be dismounted
Cushioning Elastic



B

SPECIFICATIONS

Ø (mm)	stroke (mm)	catalogue number *	reference	weight (kg)	connection Ø
32	25	43800193	CIS 32 NA 25 SER-DM	0,390	G 1/8
	50	43800194	CIS 32 NA 50 SER-DM	0,450	
40	25	43800195	CIS 40 NA 25 SER-DM	0,780	G 1/4
	50	43800196	CIS 40 NA 50 SER-DM	0,900	
50	25	43800197	CIS 50 NA 25 SER-DM	1,170	G 1/4
	50	43800198	CIS 50 NA 50 SER-DM	1,300	
63	25	43800199	CIS 63 NA 25 SER-DM	1,740	G 3/8
	50	43800200	CIS 63 NA 50 SER-DM	1,930	

* The magnetic position detectors must be ordered separately :
 "T" model (see page P291), reed switch or magneto-resistive type

MOUNTINGS

Ø (mm)	catalogue number								
	Rectangular (1) front or rear flange MF1 - MF2	Feet (2) MS1	Rear male trunnion MP4	Complete trunnion MP2 + (MP4) *	Female rod clevis ISO 8140 - RP102P AP2	Spherical bearing rod end ISO 8139 - RP103P AP6	Neck nut MR3	Rear trunnion mounting (not ISO-standardised)	Front trunnion mounting (not ISO-standardised)
32	43900195	43900199	intégré au vérin standard	43400543	43400016	43400001	43900203	43900206	010572
40	43900196	43900200		43400544	43400017	43400002	43900204	43900207	010573
50	43900197	43900201		43400545	43400018	43400003	43900205	43900208	010574
63	43900198	43900202		43400546				43900209	010575

(1) Flange delivered with a neck nut.

(2) Feet delivered in batches of two with 2 neck nuts.

*: MP 4 fixing being integral with the cylinder rear cover, only MP 2 mouting needs to be ordered.

OPTIONS

- Mountings performed with front or rear complete trunnions not standardised mountings (see next pages).
- For a single acting cylinder with rod out at rest ref. SES, (please consult us).
- Piston rod in 316L stainless steel, catalogue number: **995002** - in 303 stainless steel, catalogue number: **995202**
- Overlength piston rod in hard chrome steel, cat. n°: **995003** - in 316L stainless steel, cat. n°: **995004** - in 303 stainless steel, cat. n°: **995204**
- Front through rod in hard chrome steel, cat. n°: **995015** - in 316L stainless steel, cat. n°: **995016** - in 303 stainless steel, cat. n°: **995216**
- rear through rod in hard chrome steel, cat. n°: **995017** - in 316L stainless steel, cat. n°: **995018** - in 303 stainless steel, cat. n°: **995218**

All leaflets are available on: www.asconumatics.eu

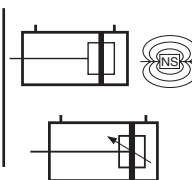
JOUCOMATIC

ISOCCLAIR ROUND CYLINDERS

Ø 32 to 63 mm - double acting

ISO 6431 - CETOP

with elastic/pneumatic cushioning



Series
438
Types
CIS-NA/DM
CIS-A/DM

GENERAL

Detection Equipped for magnetic position detectors
Fluid Air or neutral gas, filtered, lubricated or not
Operating pressure 10 bar max.
Ambient temperature - 10°C to + 70°C
Standards ISO 6431 - 8139 - 8140
 CETOP RP 43 P - RP 102 P - RP 103 P

CONSTRUCTION

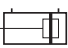
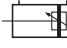
Barrel Hard anodized aluminium alloy
Rod Hard chrome steel
Front and rear covers Light alloy
Piston POM (polyacetal), steel, aluminium equipped with permanent magnet
Piston seals PUR (polyurethane)
Rod nut Galvanized steel
Dismounting With elastic cushioning: Cannot be dismounted
 With adjustable pneumatic cushioning: Ø 32-40: cannot be dismounted
 Ø 50-63: dismounted
 See "specifications"

Cushioning

SPECIFICATIONS



Cushioning length :
 Ø 32 mm = 14 mm
 Ø 40 mm = 18 mm
 Ø 50 mm = 18 mm
 Ø 63 mm = 21 mm

Ø (mm)	stroke (mm)	Cylinder with elastic cushioning 		Cylinder with adjustable pneumatic cushioning 		connection Ø
		catalogue number *	reference	catalogue number *	reference	
Single rod cylinder						
32	25	43800181	CIS 32 NA 25 - DM	-	-	G 1/8
	50	43800085	CIS 32 NA 50 - DM	43800141	CIS 32 A 50 - DM	
	100	43800086	CIS 32 NA 100 - DM	43800142	CIS 32 A 100 - DM	
	160	43800087	CIS 32 NA 160 - DM	43800143	CIS 32 A 160 - DM	
	200	43800088	CIS 32 NA 200 - DM	43800144	CIS 32 A 200 - DM	
	250	43800089	CIS 32 NA 250 - DM	43800145	CIS 32 A 250 - DM	
	to be defined	43850021 ... ⁽¹⁾	CIS 32 NA ... - DM	43850021 ... ⁽¹⁾	CIS 32 A ... - DM	
40	25	43800182	CIS 40 NA 25 - DM	-	-	G 1/4
	50	43800090	CIS 40 NA 50 - DM	43800146	CIS 40 A 50 - DM	
	100	43800091	CIS 40 NA 100 - DM	43800147	CIS 40 A 100 - DM	
	160	43800092	CIS 40 NA 160 - DM	43800148	CIS 40 A 160 - DM	
	200	43800093	CIS 40 NA 200 - DM	43800149	CIS 40 A 200 - DM	
	250	43800094	CIS 40 NA 250 - DM	43800150	CIS 40 A 250 - DM	
	320	43800095	CIS 40 NA 320 - DM	43800151	CIS 40 A 320 - DM	
400	43800096	CIS 40 NA 400 - DM	43800152	CIS 40 A 400 - DM		
to be defined	43850014 ... ⁽¹⁾	CIS 40 NA ... - DM	43850022 ... ⁽¹⁾	CIS 40 A ... - DM		
50	25	43800183	CIS 50 NA 25 - DM	-	-	G 1/4
	50	43800097	CIS 50 NA 50 - DM	43800153	CIS 50 A 50 - DM	
	100	43800098	CIS 50 NA 100 - DM	43800154	CIS 50 A 100 - DM	
	160	43800099	CIS 50 NA 160 - DM	43800155	CIS 50 A 160 - DM	
	200	43800100	CIS 50 NA 200 - DM	43800156	CIS 50 A 200 - DM	
	250	43800101	CIS 50 NA 250 - DM	43800157	CIS 50 A 250 - DM	
	320	43800102	CIS 50 NA 320 - DM	43800158	CIS 50 A 320 - DM	
400	43800103	CIS 50 NA 400 - DM	43800159	CIS 50 A 400 - DM		
to be defined	43850015 ... ⁽¹⁾	CIS 50 NA ... - DM	43850023 ... ⁽¹⁾	CIS 50 A ... - DM		
63	25	43800184	CIS 63 NA 25 - DM	-	-	G 3/8
	50	43800104	CIS 63 NA 50 - DM	43800160	CIS 63 A 50 - DM	
	100	43800105	CIS 63 NA 100 - DM	43800161	CIS 63 A 100 - DM	
	160	43800106	CIS 63 NA 160 - DM	43800162	CIS 63 A 160 - DM	
	200	43800107	CIS 63 NA 200 - DM	43800163	CIS 63 A 200 - DM	
	250	43800108	CIS 63 NA 250 - DM	43800164	CIS 63 A 250 - DM	
	320	43800109	CIS 63 NA 320 - DM	43800165	CIS 63 A 320 - DM	
400	43800110	CIS 63 NA 400 - DM	43800166	CIS 63 A 400 - DM		
500	43800111	CIS 63 NA 500 - DM	43800167	CIS 63 A 500 - DM		
to be defined	43850016 ... ⁽¹⁾	CIS 63 NA ... - DM	43850024 ... ⁽¹⁾	CIS 63 A ... - DM		
Through rod cylinder						
32	to be defined	43850043 ... ⁽¹⁾	CIS 32 NA ... - DM-T2	43850039 ... ⁽¹⁾	CIS 32 A ... - DM-T2	G 1/8
40		43850044 ... ⁽¹⁾	CIS 40 NA ... - DM-T2	43850040 ... ⁽¹⁾	CIS 40 A ... - DM-T2	G 1/4
50		43850045 ... ⁽¹⁾	CIS 50 NA ... - DM-T2	43850041 ... ⁽¹⁾	CIS 50 A ... - DM-T2	G 1/4
63		43850046 ... ⁽¹⁾	CIS 63 NA ... - DM-T2	43850042 ... ⁽¹⁾	CIS 63 A ... - DM-T2	G 3/8

⁽¹⁾ Indicate stroke (in mm)

* The magnetic position detectors must be ordered separately :
 "T" model (see page P291), reed switch or magneto-resistive type

All leaflets are available on: www.asconumatics.eu

Pneutrol International Limited
 UK Office
 5 Caulside Drive, Antrim, BT41 2DU
 United Kingdom
 TEL: +44 (0) 289448 1808
www.valves-direct.com

sales@pneutrol.com
 European Office
 Unit 6, Saint Anthony's Business Park, Ballymount Road, D22 VW95
 Ireland
 TEL: +353 (0) 1 4373653
www.valves-direct.com

0030GB-2012/R01
 Availability, design and specifications are subject to change without notice. All rights reserved.

MOUNTINGS (see page 1)

OPTIONS

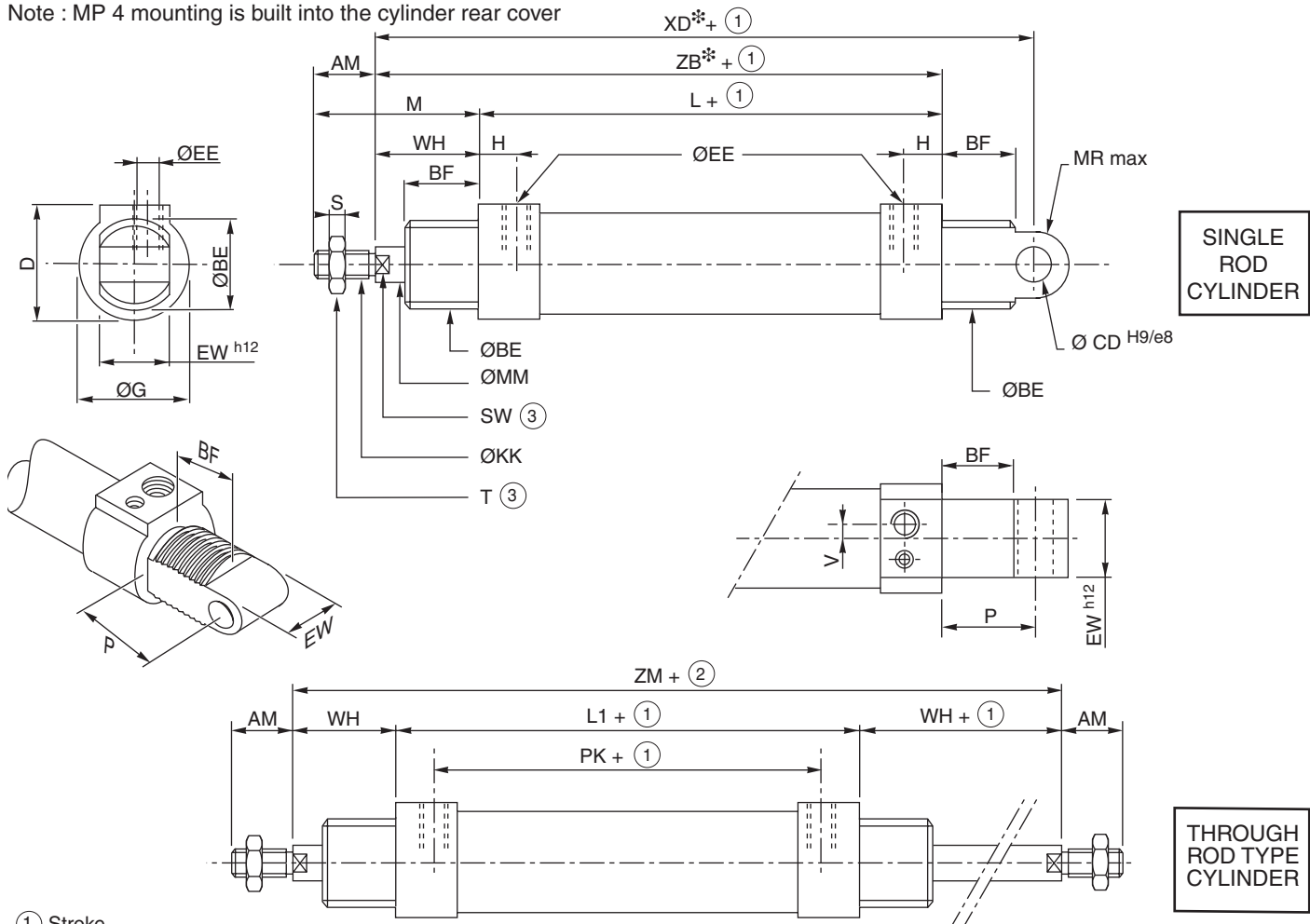
- Other strokes on request
- Mountings with front or rear complete trunnions not standardised mountings (see next pages)
- Stainless steel rod nut: specify catalogue number **995019**
- Custom rod end (please consult us)
- Piston rod in 316L stainless steel, catalogue number: **995002** - in 303 stainless steel, catalogue number: **995202**
- Overlength piston rod in hard chrome steel, cat. n°: **995003** - in 316L stainless steel, cat. n°: **995004** - in 303 stainless steel, cat. n°: **995204**
- Front through rod in hard chrome steel, cat. n°: **995015** - in 316L stainless steel, cat. n°: **995016** - in 303 stainless steel, cat. n°: **995216**
- Rear through rod in hard chrome steel, cat. n°: **995017** - in 316L stainless steel, cat. n°: **995018** - in 303 stainless steel, cat. n°: **995218**
- Type CIS cylinders are available in versions for use in potentially explosive dust or gas atmospheres according to Directive 94/9/EC. Classification: Ex II2GD c - Ta 40°C T 135°C (T4) - Ta 70°C T 200°C (T3) (ZONE 1-21) - cat. no.: **612108**



DIMENSIONS (mm), WEIGHT (kg)

Bare cylinder (delivered without neck nut)

Note : MP 4 mounting is built into the cylinder rear cover



SINGLE ROD CYLINDER

THROUGH ROD TYPE CYLINDER

- ① Stroke
- ② 2 x stroke
- ③ Dimensions across flats

Ø	AM	ØBE	BF	ØCD	D	ØEE	EW	ØG	H	ØKK	L	L1	M	ØMM	MR	P	PK	S
32	22	M30 x 1,5	16	10	39	G1/8	26	38	13,5	M10 x 1,25	92	102	49	12	10	24	75	5
40	24	M36 x 1,5	19	12	46	G1/4	28	45	16,5	M12 x 1,25	107	126	53	18	12	24	93	6
50	32	M45 x 1,5	(6)	12	60	G1/4	32	60	14	M16 x 1,5	110	129	67	18	12	25,5	101	8
63	32	M45 x 1,5	23	16	75	G3/8	40	75,5	17	M16 x 1,5	125	143	67	22	16	31	109	8

Ø	SW	T	V	WH	XD*	ZB*	ZM	weight	
								(4)	(5)
32	10	16	3,5	27	143	119	156	0,280	0,260
40	13	18	4,7	29	160	136	184	0,600	0,400
50	16	24	5,2	35	170	145	199	0,950	0,450
63	16	24	5,5	35	191	160	213	1,400	0,700

Single and double acting cylinders, 25 mm stroke, have the same dimensions.
 * + 25 mm for single-acting cylinders with 50 mm strokes.
 (4) Cylinder weight with 0 mm stroke.
 (5) Weight to be added per additional 100 mm length.
 (6) BF front cover: 23,5 - BF rear cover: 18,5
 Note: The mountings are always delivered separately.

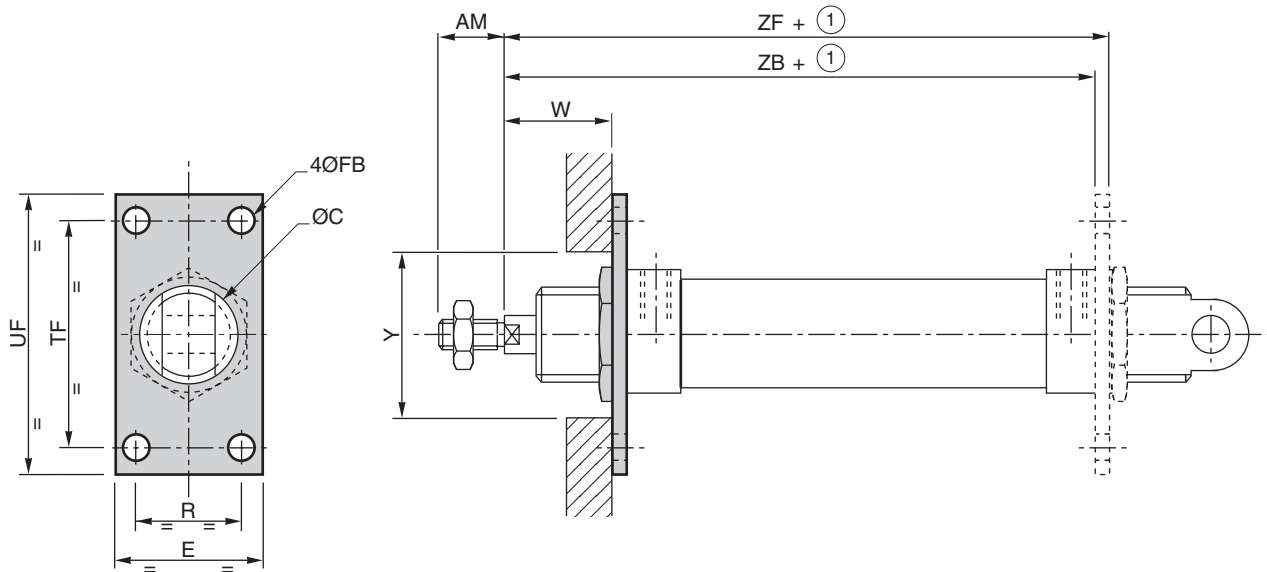
00330GB-2012/R01 Availability, design and specifications are subject to change without notice. All rights reserved.

All leaflets are available on: www.asconumatics.eu

DIMENSIONS (mm), WEIGHT (kg)

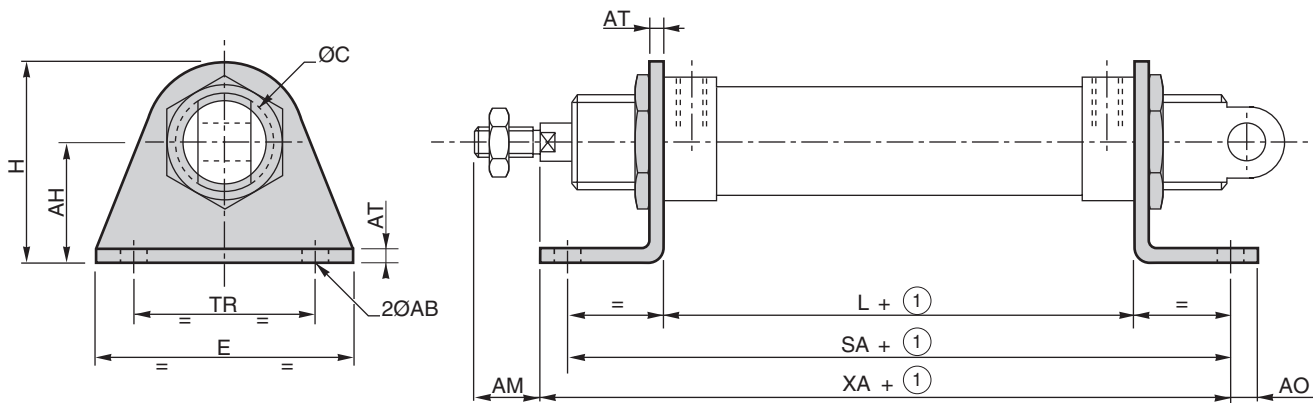
Rectangular front or rear mounting flange - MF1-MF2

Note : Flange delivered with a neck nut.



Foot mounting - MS1

Note : Feet mounting are supplied in batch of two with 2 neck nuts..



① Stroke

Ø	AM	AO	ØC	E	ØAB ØFB	H	L*	AH	AT	R	SA*	TF	TR	UF	W	XA*	Y	ZB*	ZF*
32	22	6,5	30	45	7	51	92	32	3	32	142	64	32	80	16	144	45	119	130
40	24	8	36	52	9	60	107	36	3	36	161	72	36	90	20	163	53	136	145
50	32	10	45	75	9	73	110	45	4	45	170	90	45	110	25	175	70	145	155
63	32	10	45	75	9	85	125	50	4	50	185	100	50	120	25	190	70	160	170

* + 25 mm for single acting cylinders with 50 mm stroke.

Ø	weight	
	Front or rear flange	2 feet
32	0,090	0,160
40	0,130	0,230

Ø	weight	
	Front or rear flange	2 feet
50	0,290	0,540
63	0,330	0,640

All leaflets are available on: www.asconumatics.eu

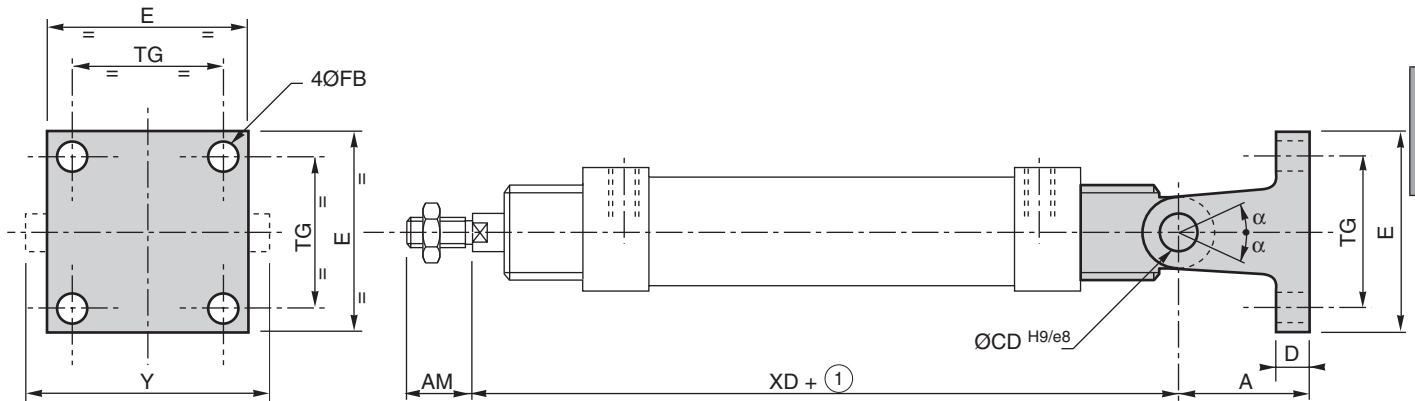
Pneutrol International Limited
UK Office
5 Causide Drive, Antrim, BT41 2DU
United Kingdom
TEL: +44 (0) 289448 1808
www.valves-direct.com

sales@pneutrol.com
European Office
Unit 6, Saint Anthony's Business Park, Ballymount Road, D22 VW95
Ireland
TEL: +353 (0) 1 4373653
www.valves-direct.com

DIMENSIONS (mm), WEIGHT (kg)

Complete trunnion mounting - MP2 + MP4

Note : MP 4 fixing being integral with the cylinder rear cover, only MP 2 mounting needs to be ordered.



Ø	A	AM	ØCD	D	E	EW	FB	MR	TG	XD*	Y	α max.
32	20	22	10	8	45	26	7	10	33	143	53	76°
40	23	24	12	8	52	28	7	12	40	160	60	61°
50	25	32	12	10	65	32	9	12	49	170	68	58°
63	30	32	16	10	75	40	9	16	59	191	78	76°

* + 25 mm for single-acting cylinders with 50 mm strokes.

Ø	weight Complete trunnion
32	0,042
40	0,060

Ø	weight Complete trunnion
50	0,108
63	0,155

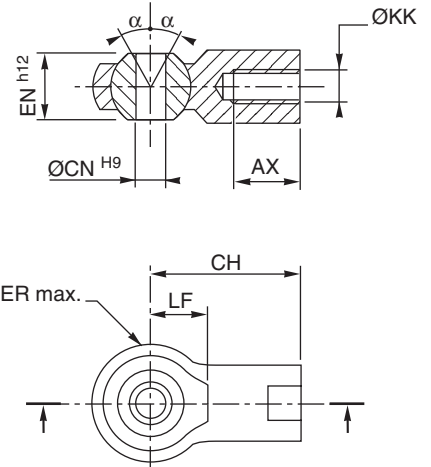
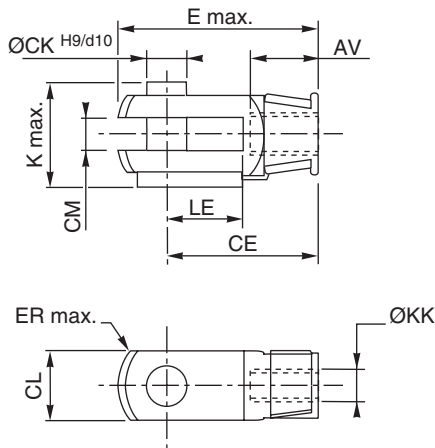
① Stroke

DIMENSIONS (mm), WEIGHT (kg)

Female rod clevis ISO 8140 - RP 102 P - AP2

Neck nut - MR3

Spherical bearing rod end ISO 8139 - RP 103 P - AP6



Ø	AV-AX	ØB	CE	CH	ØCK	CL	CM	ØCN	E	EN	ER	K	ØKK	KV	KW	LE	LF	α max.
32	20	M30 x 1,5	40	43	10	20	10 ^{+0,5} / _{+0,15}	10	56	14	14	26	M10 x 1,25	35	10	20	15	4°
40	22	M36 x 1,5	48	50	12	24	12 ^{+0,5} / _{+0,15}	12	67	16	16	32	M12 x 1,25	42	10	24	17	4°
50	28	M45 x 1,5	64	64	16	32	16 ^{+0,5} / _{+0,15}	16	89	21	21	41	M16 x 1,5	60	12	32	22	4°
63	28	M45 x 1,5	64	64	16	32	16 ^{+0,5} / _{+0,15}	16	89	21	21	41	M16 x 1,5	60	12	32	22	4°

Ø	weight		
	Rod clevis	Bearing rod end	Nut
32	0,100	0,070	0,030
40	0,150	0,120	0,040

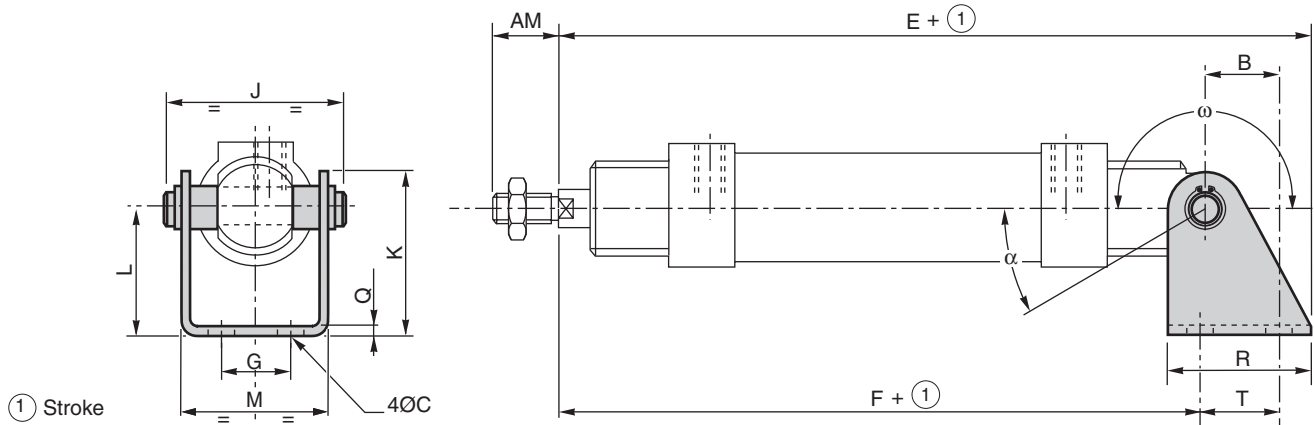
Ø	weight		
	Rod clevis	Bearing rod end	Nut
50	0,330	0,220	0,140
63	0,330	0,220	0,140

All leaflets are available on: www.asconumatics.eu

DIMENSIONS (mm), WEIGHT (kg)

Rear trunnion mounting

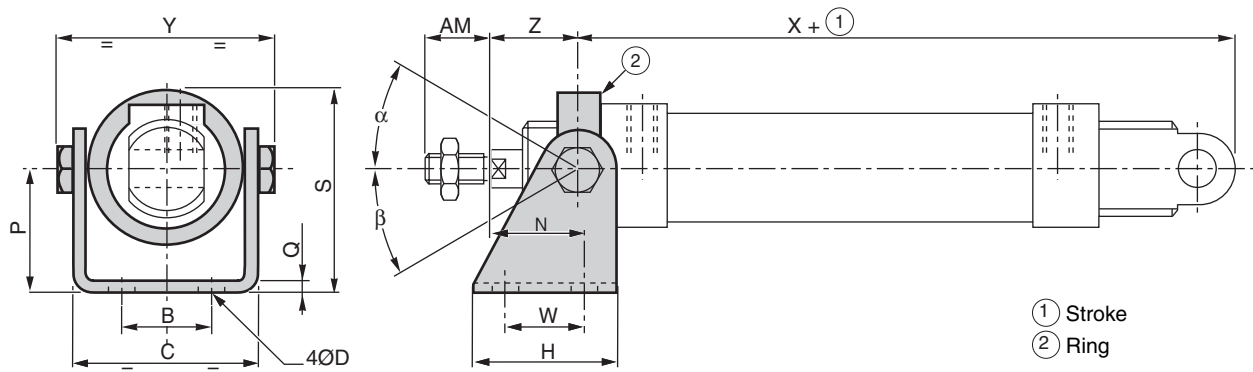
The rear trunnion mounting is delivered separately.



Ø	AM	B	C	E	F	G	J	K	L	M	Q	R	T	α	ω	Trunnion mounting weight
32	22	20	7	171	139	20	52	47	35	46	4	40	24	35°	180°	0,140
40	24	27	9	197	157	28	62	53	40	56	5	50	30	30°	170°	0,250
50	32	30	9	210	166	36	75	59	45	69	6	54	34	20°	165°	0,360
63	32	38	9	243	193	42	89	66	50	82	6	65	35	20°	160°	0,520

Front trunnion mounting

The cylinder and front trunnion mounting are supplied assembled



Ø	AM	B	C	D	H	N	P	Q	S	W	X	Y	Z	α	β	weight	
																(3)	(4)
32	22	28	56	9	50	22 ⁰ _{-0,5}	40	5	63	30	135 ^{+0,5} ₀	64,5	19 ⁰ _{-0,5}	30°	30°	0,540	0,260
40	24	36	69	9	54	23,5 ⁰ _{-0,5}	45	6	73,5	34	153,5 ^{+0,5} ₀	77,5	19,5 ⁰ _{-0,5}	30°	30°	1,030	0,400
50	32	42	82	9	65	24 ⁰ ₋₁	50	6	85	35	159,5 ⁺¹ ₀	90,5	23 ⁰ ₋₁	30°	30°	1,600	0,450
63	32	60	106	11	80	28,5 ⁰ ₋₁	65	6	110	50	184,5 ⁺¹ ₀	116,5	23,5 ⁰ ₋₁	30°	30°	2,300	0,700

(3) Weight of cylinder + rings and trunnion mountings for a 0 mm stroke.
(4) Weight to be added per 100 mm of additional stroke.