

Depth Gauges

SERIES 329 – Digimatic Interchangeable Rod Depth Micrometer

- This type uses interchangeable rods to enable wide-range measurement.
- Data output function allows integration into statistical process control and measurement systems.
- Measuring rod diameter: $\varnothing 4$ mm.
- Measuring rod lock.
- Ratchet stop provides constant measuring force.

MeasurLink ENABLED
Data Management Software by Mitutoyo

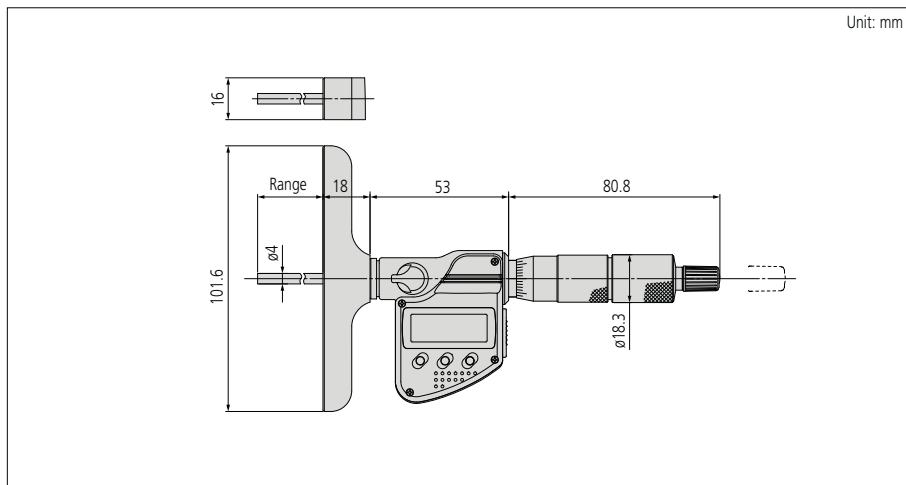


329-350-30

Specifications

Inch/Metric					
Code No.	Range	Resolution	Base	No. of rods	
329-350-30	0 - 150 mm (0 - 6")	0.001 mm (.00005")	4 x .63"	6	
329-351-30	0 - 300 mm (0 - 12")	0.001 mm (.0001")		12	

Dimensions



Unit: mm

Technical Data

Accuracy*

Micrometer head: $\pm 3 \mu\text{m} / \pm 0.00015''$ (excluding quantizing error)

Interchangeable rod: $\pm (2+R/75) \mu\text{m} / \pm [.0001+.00005 (R/3)]''$

Flatness of reference face

63.5 mm (2.5") base: $1.3 \mu\text{m} (.00005'')$

101.6 mm (4") base: $2 \mu\text{m} (.00008'')$

Flatness of measuring rod face:

rod face: $0.3 \mu\text{m}$

Parallelism between reference face and measuring rod face*:

$(4+R/50) \mu\text{m} / [.00016+.00004 (R/2)]''$

Battery:

SR44 (2 pcs) **938882**

Battery life:

Approx. 2.4 years under normal use

* R = max. range (mm/inch)

Note: Fractions rounded up

Optional Accessories

Code No.	Description	
264-623	U-WAVE-TM transmission unit	
02AZF310	U-WAVE-TM connection unit	
05CZA662	SPC data cable with pushbutton (1 m)	
05CZA663	SPC data cable with pushbutton (2 m)	
06AFM380B	USB input tool direct USB-ITN-B (2 m)	



Ratchet stop provides consistent reproducibility.