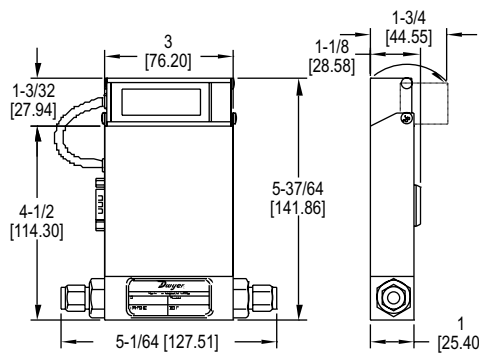
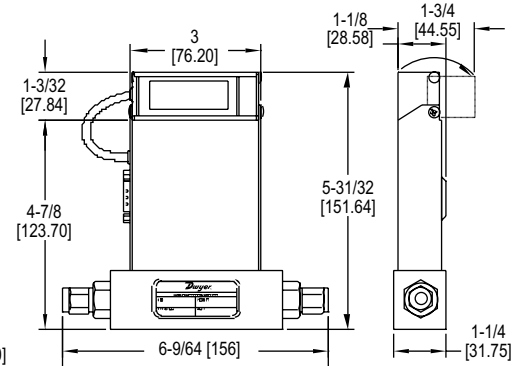


GAS MASS FLOW METERS

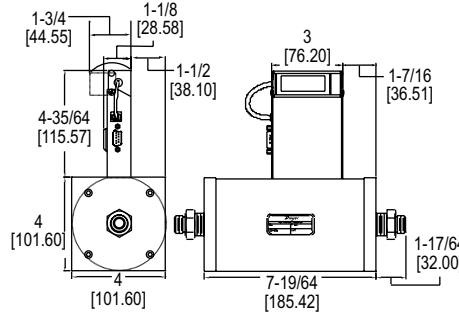
Flow Range Up to 1000 L/min, Pressures Up to 1000 psi, NIST Traceable



**Model GFM-1101 thru GFM-1111
and GFM-2101 thru GFM-2111**



**Model GFM-1140
thru GFM-1142 and GFM-2140
thru GFM-2142**
**Model GFM-1130
thru GFM-1133 and GFM-2130
thru GFM-2133**



**Model GFM-1143 thru GFM-1145
and GFM-2143 thru GFM-2145**

Series GFM Gas Mass Flow Meters combine a straight tube sensor with a restrictor flow element to provide high accuracy and repeatability. Flow rates are virtually unaffected by temperature and pressure variations. Actual gas flow is displayed in engineering units on a 3-digit, 90° tiltable LCD readout. Units can be used with Series GFT Flow Totalizer for applications requiring totalization. Series GFM includes a NIST traceable certificate.

SPECIFICATIONS

Service: Clean gases compatible with wetted parts.
Wetted Materials: GFM-1XXX: Anodized aluminum, brass, 316 SS and fluoroelastomer O-rings; GFM-2XXX: 316 SS and fluoroelastomer O-rings.
Accuracy: ±1% FS including linearity over 59 to 77°F (5 to 25°C) and 5 to 60 psia (0.34 to 4 bar); Series X143, X144, X145, ±1.5% FS.
Repeatability: ±0.25% of FS.
Response Time: 2 s to within ±2% of actual flow.
Output: Linear 0-5 VDC and 4-20 mA.

Max. Particulate Size: 5 microns.
Temperature Limits: 32 to 122°F (0 to 50°C).
Power Supply: ±12 VDC.
Process Connections: 1/4" compression fitting for flow rates ≤50 L/m; 3/8" for 100 and 200 L/m; 1/2" for 500 L/min; 3/4" for 1000 L/min.
Pressure Limits: 1000 psig (68.9 bar); Series GFM-X143, X144, X145, 500 psig (34.5 bar).
Leak Integrity: 1 x 10⁻⁹ sccs of He.
Display: 90° tiltable, 3-1/2 digit.
Compliance: CE.

MODEL CHART							
Model*	Material	Flow Range	Process Connector Compression Fitting	Model*	Material	Flow Range	Process Connector Compression Fitting
GFM-1101	Aluminum	0 to 10 mL/m	1/4"	GFM-2101	SS	0 to 10 mL/m	1/4"
GFM-1102	Aluminum	0 to 20 mL/m	1/4"	GFM-2102	SS	0 to 20 mL/m	1/4"
GFM-1103	Aluminum	0 to 50 mL/m	1/4"	GFM-2103	SS	0 to 50 mL/m	1/4"
GFM-1104	Aluminum	0 to 100 mL/m	1/4"	GFM-2104	SS	0 to 100 mL/m	1/4"
GFM-1105	Aluminum	0 to 200 mL/m	1/4"	GFM-2105	SS	0 to 200 mL/m	1/4"
GFM-1106	Aluminum	0 to 500 mL/m	1/4"	GFM-2106	SS	0 to 500 mL/m	1/4"
GFM-1107	Aluminum	0 to 1000 mL/m	1/4"	GFM-2107	SS	0 to 1000 mL/m	1/4"
GFM-1108	Aluminum	0 to 2 L/min	1/4"	GFM-2108	SS	0 to 2 L/min	1/4"
GFM-1109	Aluminum	0 to 5 L/min	1/4"	GFM-2109	SS	0 to 5 L/min	1/4"
GFM-1111	Aluminum	0 to 15 L/min	1/4"	GFM-2111	SS	0 to 15 L/min	1/4"
GFM-1131	Aluminum	0 to 30 L/min	1/4"	GFM-2131	SS	0 to 30 L/min	1/4"
GFM-1133	Aluminum	0 to 50 L/min	1/4"	GFM-2133	SS	0 to 50 L/min	1/4"
GFM-1142	Aluminum	0 to 100 L/min	3/8"	GFM-2142	SS	0 to 100 L/min	3/8"
GFM-1143	Aluminum	0 to 200 L/min	3/8"	GFM-2143	SS	0 to 200 L/min	3/8"
GFM-1144	Aluminum	0 to 500 L/min	1/2"	GFM-2144	SS	0 to 500 L/min	1/2"
GFM-1145	Aluminum	0 to 1000 L/min	3/4"	GFM-2145	SS	0 to 1000 L/min	3/4"

*Specified flow ranges are for an equivalent flow of nitrogen at 70°F (21°C) @ 760 mm Hg.

ACCESSORIES	
Model	Description
GFM-110P	110 V power supply
GFM-220PE	220 V power supply
GFM-CBL4	3' cable for 4-20 mA output
GFM-CBL5	3' cable for 0-5 VDC output

USA: California Proposition 65
WARNING: This product can expose you to chemicals including Lead, which is known to the State of California to cause cancer and birth defects or other reproductive harm. For more information go to www.P65Warnings.ca.gov.