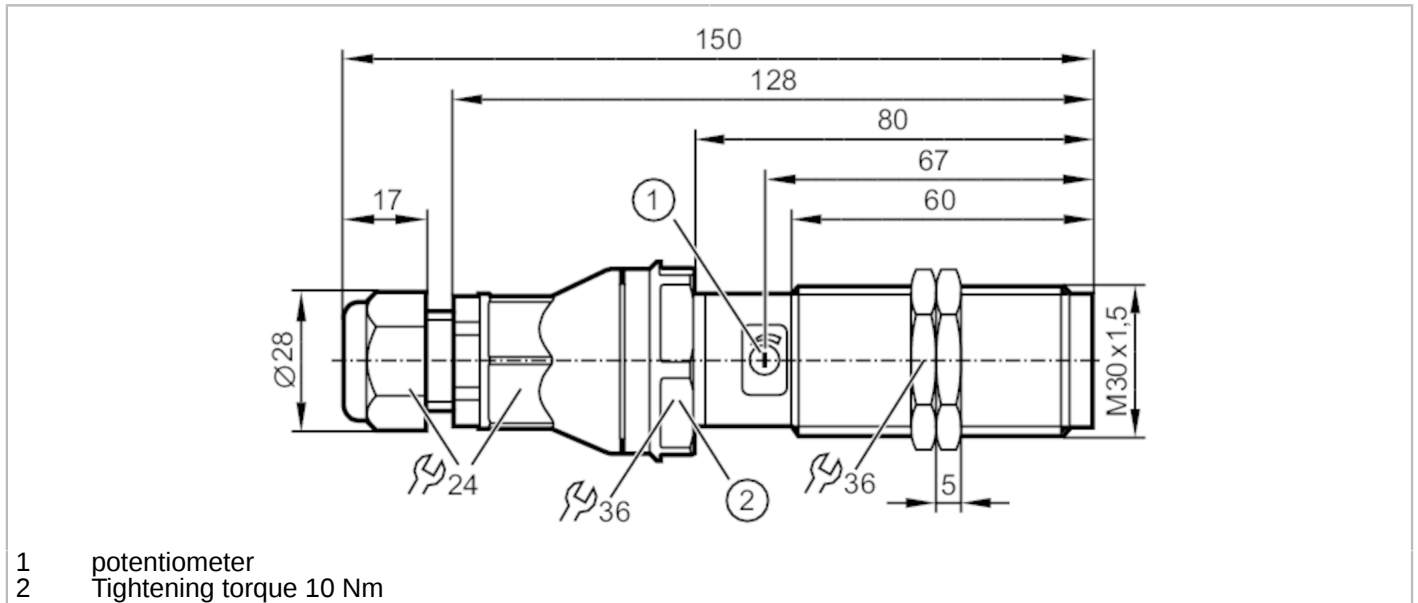


# KI000A



## Capacitive sensor

KIE2150NFB0A/3D



Made in Germany




Electrical data	
Operating voltage [V]	30...250 AC / 20...250 DC
Protection class	II
Reverse polarity protection	yes
Outputs	
Output function	normally open / normally closed; (selectable)
Max. voltage drop switching output DC [V]	8
Max. voltage drop switching output AC [V]	10
Minimum load current [mA]	5
Max. leakage current [mA]	2.5 (250 V AC) / 1.7 (110 V AC) / 1.5 (24 V DC)
Permanent current rating of switching output AC [mA]	100; (150 (...40 °C))
Permanent current rating of switching output DC [mA]	100; (150 (...40 °C))
Short-time current rating of switching output [mA]	1000; (20ms / 0,5Hz)
Switching frequency AC [Hz]	10
Switching frequency DC [Hz]	10
Notes on switching frequency	only for resistive loads; 2 Hz for utilisation category AC-140
Short-circuit proof	no
Overload protection	no
Range	
Sensing range [mm]	15
Sensing range adjustable	yes
Factory setting sensing range [mm]	15
Real sensing range Sr [mm]	15 ± 10 %

# KI000A



## Capacitive sensor

KIE2150NFBOA/3D

Accuracy / deviations		
Correction factor	glass: 0.4 / water: 1 / ceramics: 0.2 / PVC: 0.2	
Hysteresis [% of Sr]	1...15	
Switch point drift [% of Sr]	-20...20	
Operating conditions		
Ambient temperature [°C]	-20...60	
Protection	IP 65; IP 67	
Tests / approvals		
ATEX marking	 II 3D Ex tc IIIC T90°C Dc X	
EMC	EN 61000-4-2 ESD	kV / 8 kV AD
	EN 61000-4-3 HF radiated	3 V/m
	EN 61000-4-4 Burst	2 kV
	EN 61000-4-5 Surge	1 kV line to line, Ri: 2 Ohm
	EN 61000-4-6 HF conducted	3 V
	EN 55011	class B
MTTF [years]	305	
Mechanical data		
Weight [g]	151.8	
Housing	threaded type	
Mounting	non-flush mountable	
Dimensions [mm]	M30 x 1.5 / L = 150	
Thread designation	M30 x 1.5	
Materials	PBT; PA	
Displays / operating elements		
Display	switching status	1 x LED, yellow
Electrical connection		
Required protection	miniature fuse to IEC60127-2 sheet 1; ≤ 2 A; fast acting; Place the fuse outside the hazardous area.	
Accessories		
Accessories (supplied)	lock nuts: 2	
Remarks		
Remarks	Recommendation: Check the safe functioning of the unit after a short circuit.	
Pack quantity	1 pcs.	

# KI000A



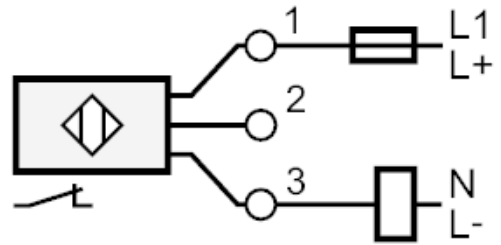
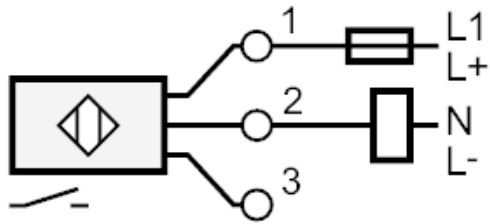
## Capacitive sensor

KIE2150NFBOA/3D

### Electrical connection

terminals: 0.34...2.5 mm<sup>2</sup>; Cable sheath: Ø5...9 mm; Cable gland: M20 X 1.5

### Connection



Note miniature fuse to IEC60127-2 sheet 1 ≤ 2 A fast acting

Place the fuse outside the hazardous area.