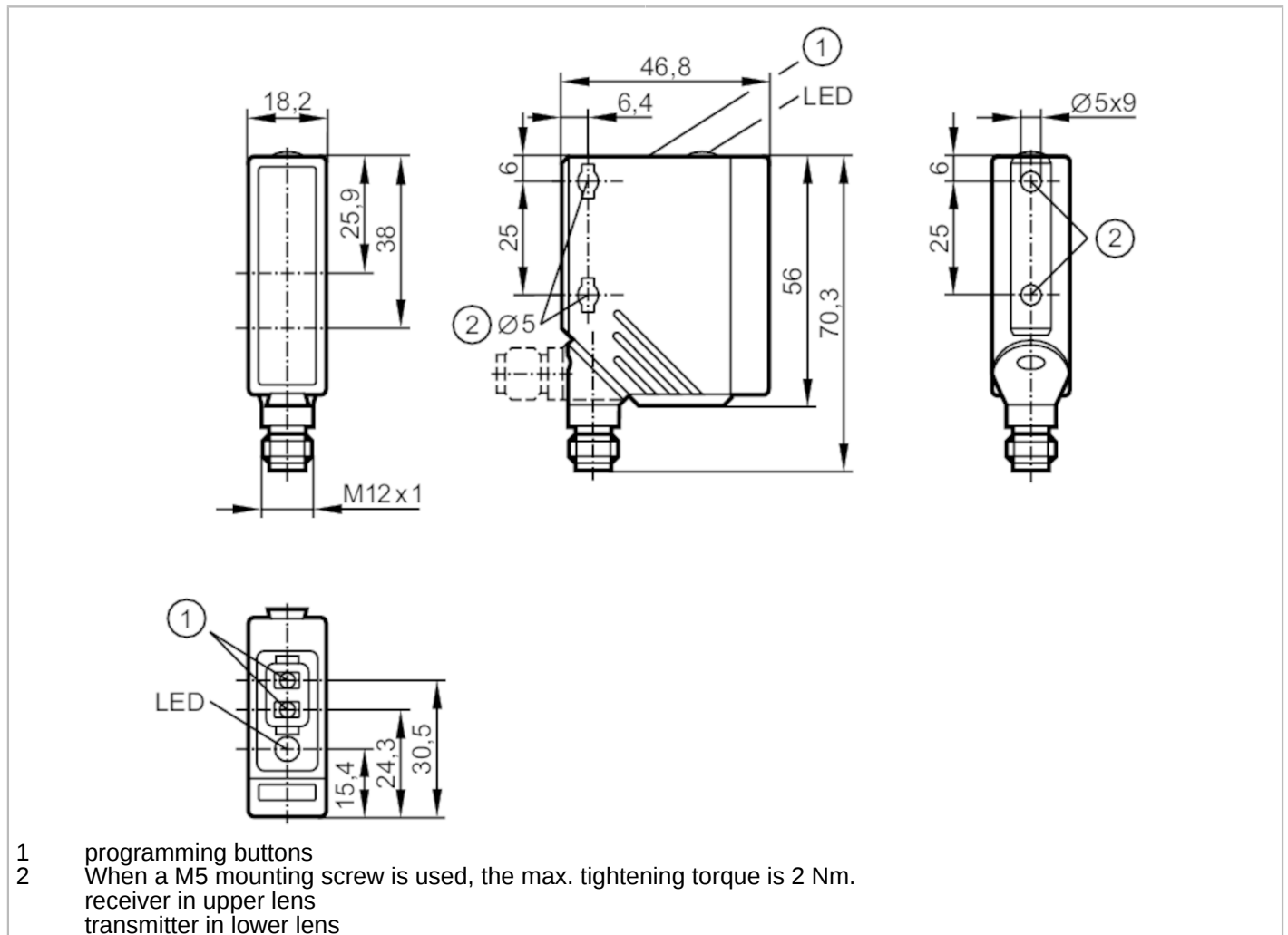


O5C500

Colour sensor

O5C-MAKG/US100



Made in Germany

Electrical data

Operating voltage	[V]	10...36 DC
Current consumption	[mA]	50; ((24 V))
Protection class		II
Reverse polarity protection		yes
Type of light		red light; green light; blue light
Wave length	[nm]	625; 525; 465

O5C500



Colour sensor

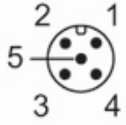
O5C-MAKG/US100

Outputs		
Output function	light-on/dark-on mode; (programmable)	
Max. voltage drop switching output DC [V]	2.5	
Permanent current rating of switching output DC [mA]	200	
Switching frequency DC [Hz]	2000	
Notes on switching frequency	for tolerance step 5	
Electrical design	PNP/NPN; (automatic load detection PNP/NPN)	
Short-circuit protection	yes	
Type of short-circuit protection	pulsed	
Overload protection	yes	
Range		
Range [mm]	15...19	
Max. light spot width [mm]	2.5	
Max. light spot height [mm]	6	
Response times		
Response time [s]	< 0.3	
Operating conditions		
Ambient temperature [°C]	-25...60	
Protection	IP 67	
Tests / approvals		
EMC	EN 60947-5-2	
MTTF [years]	491	
Mechanical data		
Weight [g]	82.6	
Housing	rectangular	
Dimensions [mm]	56 x 18.2 x 46.8	
Materials	housing: PA; bezel: stainless steel; operator interface: TPU / PC	
Lens material	front lens:PMMA	
Displays / operating elements		
Display	switching status	1x LED, yellow
	tolerance step	1x LED, green
Teach function	yes	
Electronic lock	yes	
Remarks		
Remarks	operating voltage "supply class 2" according to cULus	
Pack quantity	1 pcs.	
Electrical connection		
Connector: 1 x M12		

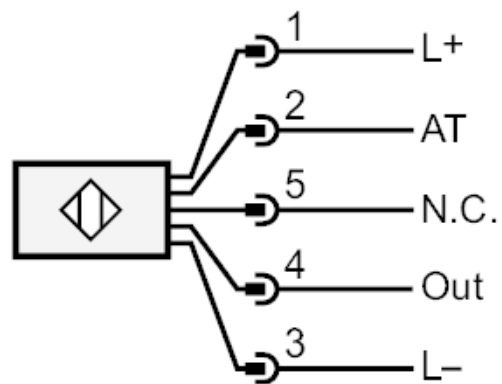
O5C500

Colour sensor

O5C-MAKG/US100



Connection



- 2 activation trigger AT
- 5 n.c. = not used