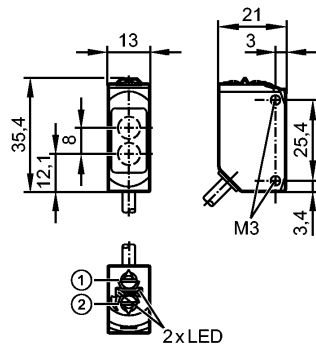


O6H200

O6H-FPKG

Photoelectric sensors



- 1: output function switch
- 2: potentiometer sensitivity

Receiver in upper lens, transmitter in lower lens



Product characteristics

Diffuse reflection sensor
Rectangular, plastics
Cable
adjustable
Background suppression
Range 2...200mm (referred to white paper 200 x 200 mm)

Electrical data

Electrical design	DC PNP
Operating voltage [V]	10...30 DC
Current consumption [mA]	22 (24 V)
Type of light	Red light 633 nm
Protection class	III
Reverse polarity protection	yes

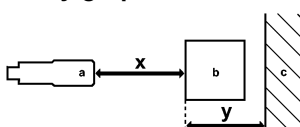
Outputs

Output function	light-on/dark-on mode selectable
Voltage drop [V]	< 2.5
Current rating [mA]	100
Short-circuit protection	pulsed
Switching frequency [Hz]	1000

Range

Range [mm]	
Range [mm]	2...200 (referred to white paper 200 x 200 mm)
- Object white (90 % remission)	2...200
- Object grey (18 % remission)	4...200
- Object black (6 % remission)	8...200
Light spot diameter [mm]	8 (at maximum range)

Accuracy graph

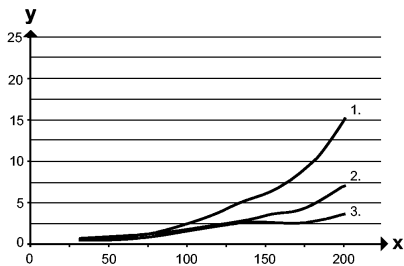


O6H200

O6H-FPKG

Photoelectric sensors

a: sensor
 b: object
 c: background
 x: distance sensor / object
 y: min. distance object / background



Values in [mm]

1 = object black (6 % remission), background white (90 % remission)
 2 = object grey (18 % remission), background white (90 % remission)
 3 = object white (90 % remission), background white (90 % remission)

Environment

Ambient temperature	[°C]	-25...60
Protection		IP 65 / IP 67

Tests / approvals

EMC		EN 60947-5-2
MTTF	[Years]	683
UL approval number		E008

Mechanical data

Housing materials		housing: ABS; PPSU; sealing: EPDM
Lens material		PMMA
Weight	[kg]	0.058
Tightening torque [Nm]		0.5

Displays / operating elements

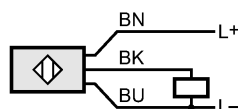
Output status indication	LED	yellow
Operation	LED	green

Electrical connection

Connection		PUR cable / 2 m; 3 x 0.25 mm ²
------------	--	---

Wiring

Core colours
 BN brown
 BK black
 BU blue



Remarks

Remarks		cULus - Class 2 source required
Pack quantity	[piece]	1