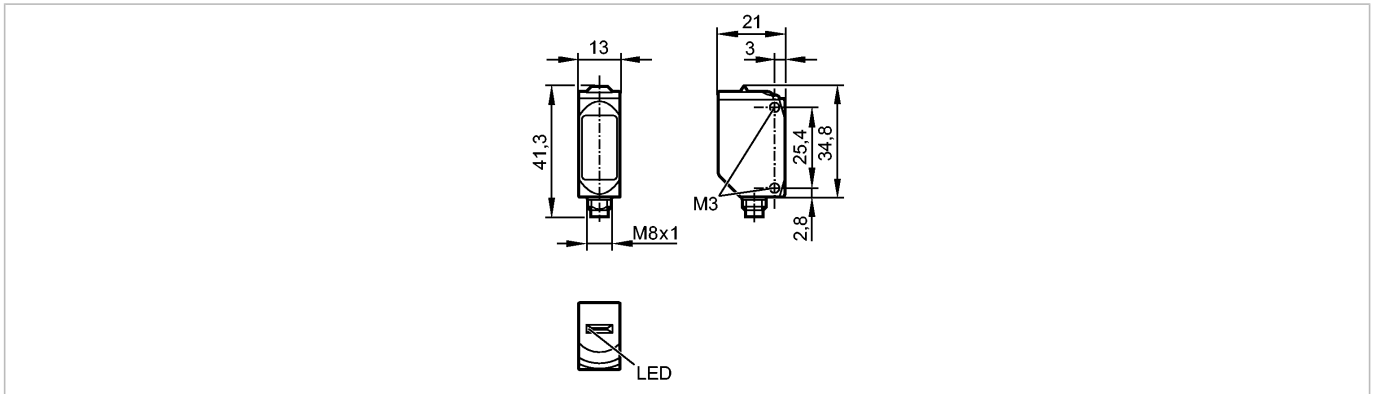


**O6S303**

O6S-00KG/AS/4P

Photoelectric sensors



Made in Germany

**Product characteristics**

Through-beam sensor
Rectangular Metal
Connector
Transmitter
Sensing range 10m

**Electrical data**

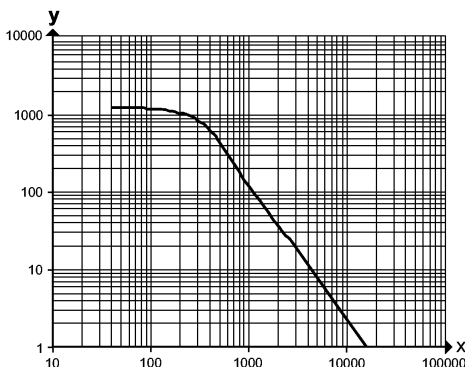
Electrical design	DC
Operating voltage [V]	10...30 DC
Current consumption [mA]	11 (24 V)
Type of light	Red light 633 nm
Protection class	III

**Range**

Sensing range [m]	10
Light spot diameter [mm]	300 ( at maximum range )

**Excess gain graphs**

x: distance in [mm]  
y: excess gain factor



**Environment**

Ambient temperature [°C]	-25...80
Protection	IP 65 / IP 67 ; IP 68 / IP 69K

**Tests / approvals**

EMC	EN 60947-5-2
MTTF [Years]	2600
UL approval number	E002

**Mechanical data**

**O6S303**

O6S-00KG/AS/4P

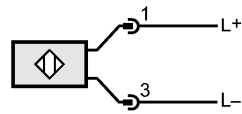
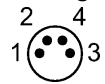
Photoelectric sensors

Housing materials	housing: stainless steel 316L / 1.4404; plastics: PPSU
Lens material	PMMA
Weight [kg]	0.036

Displays / operating elements	
Operation	LED green

Electrical connection	
Connection	M8 connector

**Wiring**



**Remarks**

Remarks	cULus - Class 2 source required
Pack quantity [piece]	1